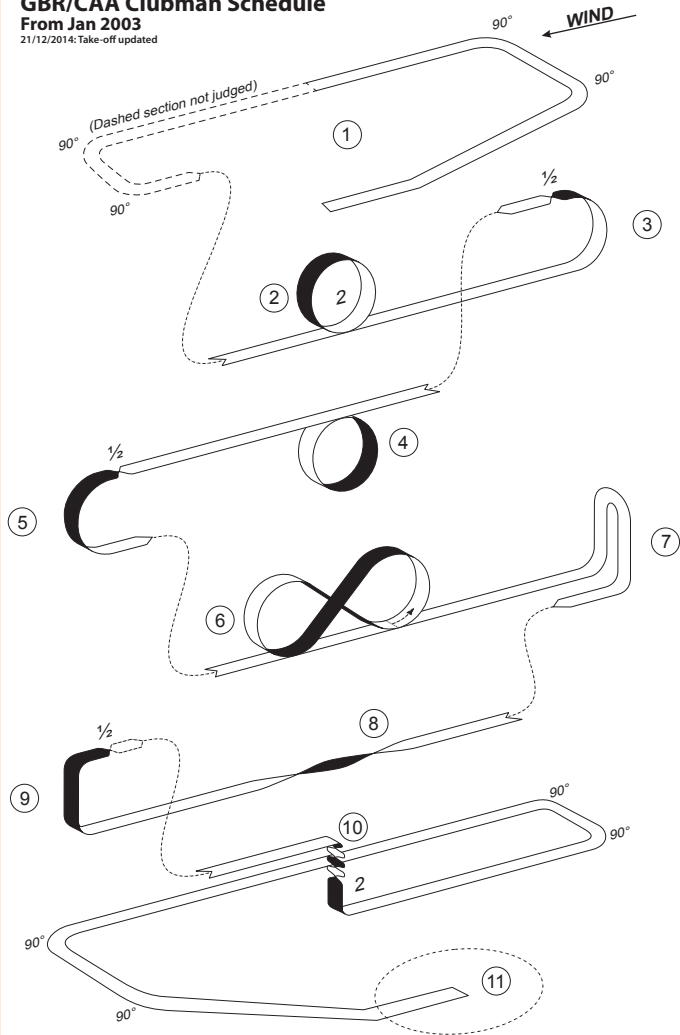


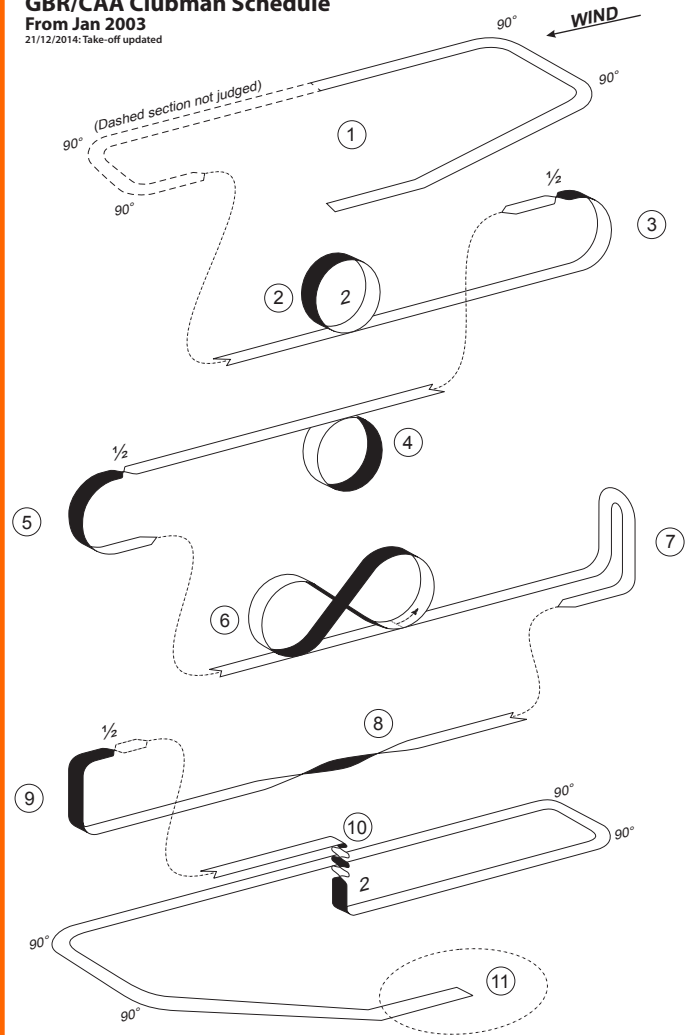
GBR/CAA Clubman Schedule
From Jan 2003

21/12/2014: Take-off updated



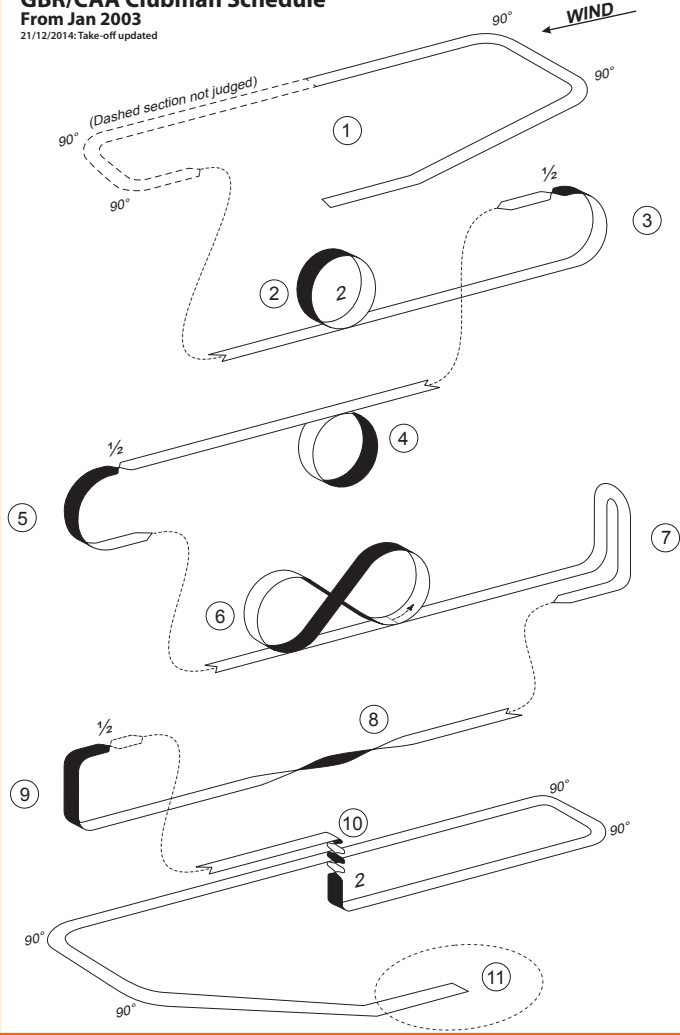
GBR/CAA Clubman Schedule
From Jan 2003

21/12/2014: Take-off updated



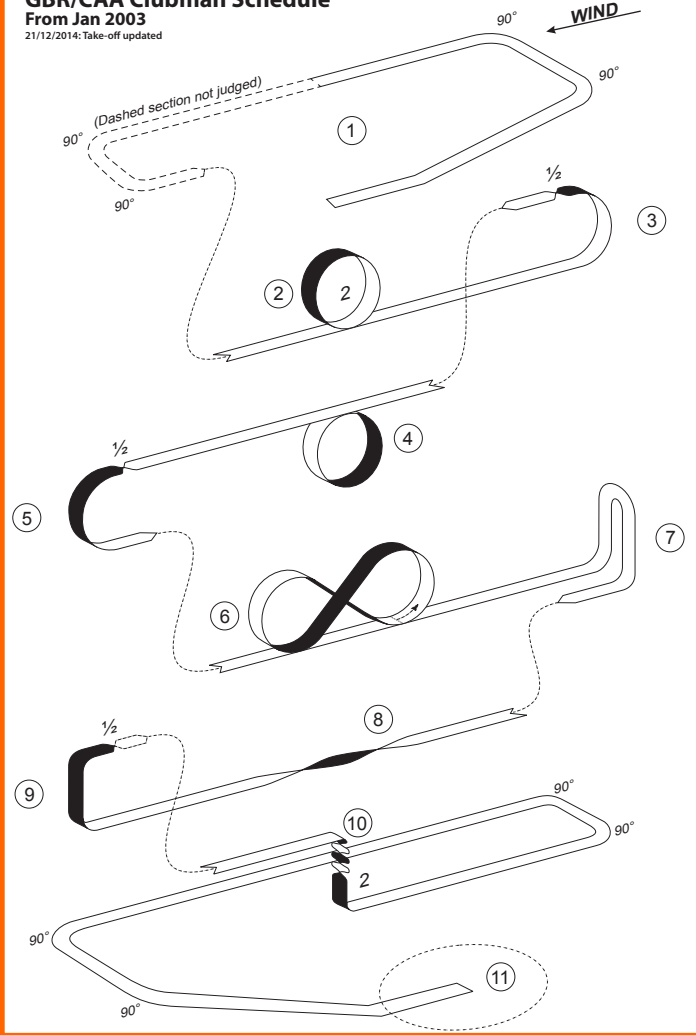
GBR/CAA Clubman Schedule
From Jan 2003

21/12/2014: Take-off updated



GBR/CAA Clubman Schedule
From Jan 2003

21/12/2014: Take-off updated



No.	GBR/CAA Clubman Schedule	K
1	Rectangular Take-Off Sequence	2
2	Two Inside Loops	3
3	Immelman Turn	2
4	One Outside Loop	2
5	Split S	2
6	Cuban Eight with No Rolls	3
7	Stall Turn	1
8	Slow Roll	3
9	Half Square Loop, ½ Roll on Exit	2
10	Two Turn Spin	3
11	Rectangular Landing Sequence	2

Max. Score = 250

Promotion = 150 (60%)

No.	GBR/CAA Clubman Schedule	K
1	Rectangular Take-Off Sequence	2
2	Two Inside Loops	3
3	Immelman Turn	2
4	One Outside Loop	2
5	Split S	2
6	Cuban Eight with No Rolls	3
7	Stall Turn	1
8	Slow Roll	3
9	Half Square Loop, ½ Roll on Exit	2
10	Two Turn Spin	3
11	Rectangular Landing Sequence	2

Max. Score = 250

Promotion = 150 (60%)

No.	GBR/CAA Clubman Schedule	K
1	Rectangular Take-Off Sequence	2
2	Two Inside Loops	3
3	Immelman Turn	2
4	One Outside Loop	2
5	Split S	2
6	Cuban Eight with No Rolls	3
7	Stall Turn	1
8	Slow Roll	3
9	Half Square Loop, ½ Roll on Exit	2
10	Two Turn Spin	3
11	Rectangular Landing Sequence	2

Max. Score = 230

Promotion = 150 (60%)

No.	GBR/CAA Clubman Schedule	K
1	Rectangular Take-Off Sequence	2
2	Two Inside Loops	3
3	Immelman Turn	2
4	One Outside Loop	2
5	Split S	2
6	Cuban Eight with No Rolls	3
7	Stall Turn	1
8	Slow Roll	3
9	Half Square Loop, ½ Roll on Exit	2
10	Two Turn Spin	3
11	Rectangular Landing Sequence	2

Max. Score = 250

Promotion = 150 (60%)